

RELAYS



I/O Modules.....277, 279

Relays

Accessories

Books.....275, 279
Heat Sink.....276, 279
I/O Mounting Board279
Covers279
Socket.....271, 275
AC.....270, 274, 276, 277
DIN Rail Mount276, 277
DC.....270, 274-278
DIP272, 273
DPDT272, 273
DPST273
Dual.....278
Enclosed Plug-In.....270
Epoxy Sealed.....275
General Purpose.....270, 273,
.....274, 275

Relays (cont.)

Heavy Duty274
Hi-Rel273
High Performance.....273
Industrial271, 274, 275
I/O Modules.....277, 279
Mercury Wetted.....273
Miniature.....271, 273, 274, 275
Multicontact274
Open Frame.....274
Opto-Isolated279
Panel Mount.....276
PC Mount.....270, 274, 275
Power.....270, 275
Printed Circuit271
Reed273
Single Phase.....277
SIP272, 273
Slim Line275
SMD273

Relays (cont.)

Solid State276-278
SPDT272, 273
SPST.....272, 273
Subminiature.....273
Three Phase277, 278
VAC Output.....276-278
VDC Output276-279

Sockets271

Surface Mount Relays273

Manufacturers:

Continental Industries276, 277
Crydom278, 279
Magnecraft.....270-272
NTE.....274, 275

Main
Menu

New
This Issue

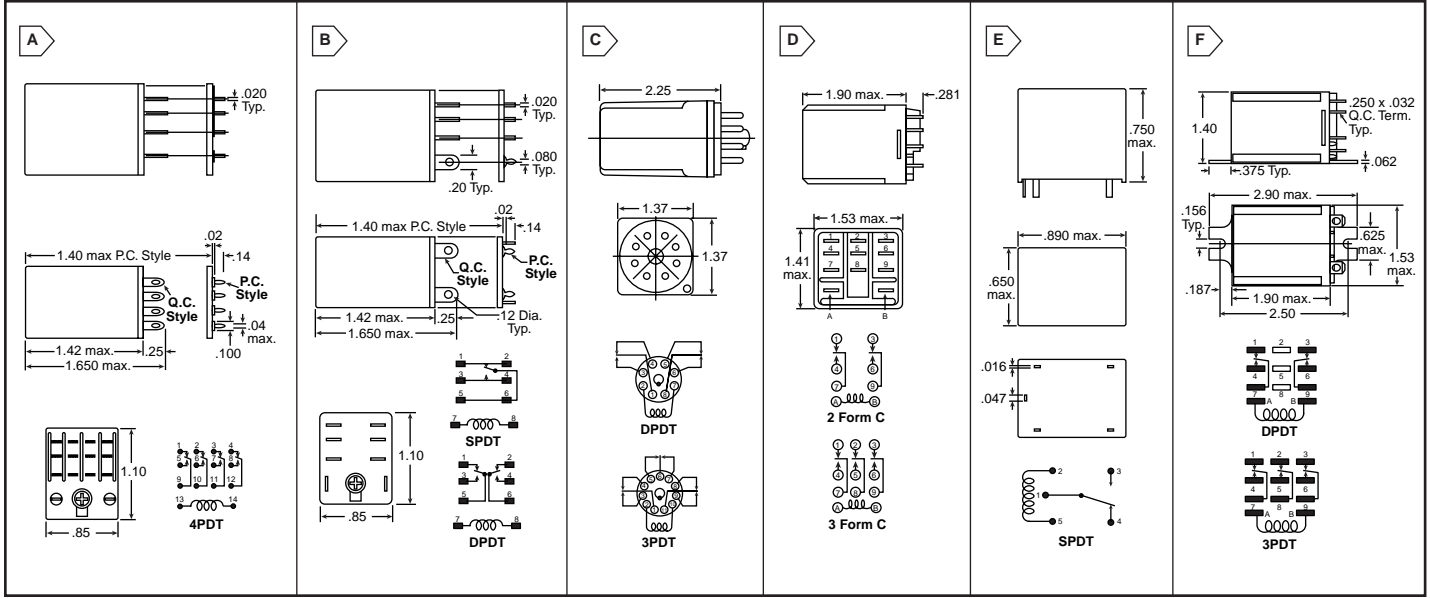
Products

Vendors

Service

Spec
Sheets

Help



CLASS 78: GENERAL PURPOSE

Features:

- Contact rating (max.): SPDT - 15A Contact resistance: 50mΩ (max.)
- DPDT - 10A
- 4PDT - 3A



Enclosed Solder Plug-in

MOUSER STOCK NO.	Fig.	Magnecraft® Part No.	Contact Arr.	Coil		Price Each			
				Volts	Ohms	1	10	25	50
AC Operated									
528-7840-5	A	W78ACSX-5	4PDT	120	4430	9.60	7.68	6.14	4.34
528-7870-9	B	W78ARCSX-9	DPDT	24	180	9.60	7.68	6.14	4.34
528-7870-11	B	W78ARCSX-11	DPDT	120	4430	9.60	7.68	6.14	4.34
DC Operated									
528-7810-1	A	W78CSX-1	4PDT	6	40	8.56	6.85	5.48	3.72
528-7810-2	A	W78CSX-2	4PDT	12	160	8.56	6.85	5.48	3.72
528-7810-3	A	W78CSX-3	4PDT	24	650	8.56	6.85	5.48	3.72
528-7880-97	B	W78RCSX-97	SPDT	12	160	8.56	6.85	5.48	3.72
528-7880-6	B	W78RCSX-6	DPDT	6	40	8.56	6.85	5.48	3.72
528-7880-7	B	W78RCSX-7	DPDT	12	160	8.56	6.85	5.48	3.72
528-7880-8	B	W78RCSX-8	DPDT	24	650	8.56	6.85	5.48	3.72

Enclosed PC Mount

MOUSER STOCK NO.	Fig.	Magnecraft® Part No.	Contact Arr.	Coil		Price Each			
				Volts	Ohms	1	10	25	50
AC Operated									
528-7850-5	B	W78ARPCX-5	DPDT	120	4430	9.60	7.68	6.14	4.34
DC Operated									
528-7820-2	A	W78PCX-2	4PDT	12	160	8.56	6.85	5.48	3.72
528-7820-3	A	W78PCX-3	4PDT	24	650	8.56	6.85	5.48	3.72
528-7830-79	B	W78RPCX-79	SPDT	12	160	8.56	6.85	5.48	3.72
528-7830-1	A	W78RPCX-1	DPDT	6	40	8.56	6.85	5.48	3.72
528-7830-2	A	W78RPCX-2	DPDT	12	160	8.56	6.85	5.48	3.72
528-7830-3	A	W78RPCX-3	DPDT	24	650	8.56	6.85	5.48	3.72

CLASS 250CP: ENCLOSED PLUG-IN

Features:

- Contact rating (max.): DPDT - 12A @ 120VAC / 3PDT -10A @ 120VAC
- 8A @ 240VAC 6A @ 240VAC
- 10A @ 28VDC 10A @ 28VDC
- Contact resistance: 50mΩ (max.)

* With indicator lamp

MOUSER STOCK NO.	Fig.	Magnecraft® Part No.	Contact Arr.	Coil		Price Each			
				Volts	Ohms	1	10	25	50
AC Operated									
528-2503-8	C	W250ACPX-8	DPDT	24	--	10.04	8.03	6.42	5.45
528-2503-9	C	W250ACPX-9	DPDT	24	--	10.04	8.03	6.42	5.45
528-2503-13	C	W250ACPX-13	3PDT	24	--	12.09	9.67	7.74	6.54
528-2503-14	C	W250ACPX-14	3DPDT	120	--	12.09	9.67	7.74	6.54
528-2504-27	C	W250ANCPX-27	DPDT	120	--	11.74	9.39	7.51	6.35
528-2504-30	C	W250ANCPX-30	3PDT	120	--	13.46	10.77	8.62	7.27
DC Operated									
528-2506-6	C	W250CPX-6	DPDT	12	120	10.04	8.03	6.42	5.45
528-2506-7	C	W250CPX-7	DPDT	24	470	10.04	8.03	6.42	5.45
528-2506-10	C	W250CPX-10	3PDT	12	120	12.09	9.67	7.74	6.54
528-2506-11	C	W250CPX-11	3PDT	24	470	12.09	9.67	7.74	6.54

CLASS 388: ENCLOSED PLUG-IN

Features:

- Contact rating (max.): DPDT - 12A
- 3PDT - 11A
- Contact material: silver cadmium oxide gold flash



MOUSER STOCK NO.	Fig.	Magnecraft® Part No.	Contact Arr.	Coil		Price Each			
				Volts	Ohms	1	10	25	50
AC Operated									
528-38825-13	D	W388ACPX-13	3PDT	24	--	13.98	11.18	8.95	6.95
528-38825-14	D	W388ACPX-14	3PDT	120	--	13.98	11.18	8.95	6.95
DC Operated									
528-38815-6	D	W388CPX-6	DPDT	12	120	11.65	9.32	7.46	5.76
528-38815-7	D	W388CPX-7	DPDT	24	470	11.65	9.32	7.46	5.76
528-38815-10	D	W388CPX-10	3PDT	12	120	13.98	11.18	8.95	6.95
528-38815-11	D	W388CPX-11	3PDT	24	470	13.98	11.18	8.95	6.95

CLASS 178: PC MOUNTABLE

Features:

- Contact rating (max.): 17827 - 5A @ 250VAC
- 17829 - 10A @ 250VAC
- Contact resistance: 100mΩ @ 5VDC, 1 amp



MOUSER STOCK NO.	Fig.	Magnecraft® Part No.	Contact Arr.	Coil		Price Each			
				Volts	Ohms	1	10	25	50
528-17827-5	E	W178RE1-5DC	SPDT	5	63	3.00	2.40	1.92	1.32
528-17827-12	E	W178RE1-12DC	SPDT	12	360	3.00	2.40	1.92	1.32
528-17827-24	E	W178RE1-24DC	SPDT	24	1440	3.00	2.40	1.92	1.32
528-17829-5	E	W178URE1-5DC	SPDT	5	63	3.41	2.73	2.18	1.55
528-17829-12	E	W178URE1-12DC	SPDT	12	360	3.41	2.73	2.18	1.55
528-17829-24	E	W178URE1-24DC	SPDT	24	1440	3.41	2.73	2.18	1.55

CLASS 389: POWER RELAYS

Features:

- Contact rating (max.): DPDT - 25A @ 120VAC
- 3PDT - 20A @ 120VAC
- Contact material: silver cadmium oxide gold flash



Flange Mount

MOUSER STOCK NO.	Fig.	Magnecraft® Part No.	Contact Arr.	Coil		Price Each			
				Volts	Ohms	1	10	25	50
AC Operated									
528-3897-8	F	W389ACX-8	DPDT	24	--	14.50	11.60	9.28	7.76
528-3897-9	F	W389ACX-9	DPDT	120	--	14.50	11.60	9.28	7.76
528-3897-10	F	W389ACX-10	DPDT	240	--	15.98	12.78	10.23	8.23
528-3897-14	F	W389ACX-14	3PDT	120	--	17.54	14.03	11.23	8.89
528-3897-15	F	W389ACX-15	3PDT	240	--	17.97	14.38	11.50	9.38
DC Operated									
528-3898-8	F	W389CX-8	DPDT	24	400	14.50	11.60	9.28	7.76
528-3898-12	F	W389CX-12	3PDT	12	100	17.54	14.03	11.23	8.89
528-3898-13	F	W389CX-13	3PDT	24	400	17.54	14.03	11.23	8.89

PRINTED CIRCUIT RELAYS

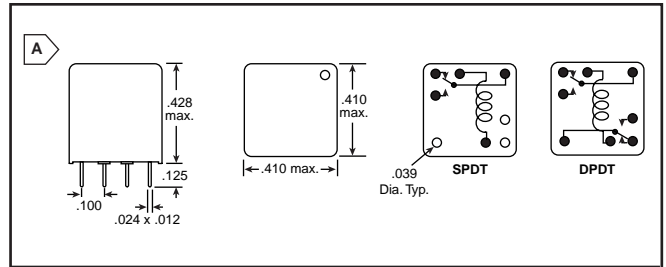
Features:

- Contact rating: 2A @ 120VAC
- Contact resistance: 100mΩ @ 6VDC and 10mA
- Contact material: gold clad silver palladium



Class 7: Microminiature

MOUSER STOCK NO.	Fig.	Magnecraft® Part No.	Contacts	Coil		Price Each			
				Volts	Ohms	1	10	25	50
528-720-1	A	W7PCX-1	SPDT	5	75	7.64	6.11	4.89	4.32
528-720-3	A	W7PCX-3	SPDT	12	440	7.64	6.11	4.89	4.32
528-720-4	A	W7PCX-4	SPDT	24	1550	8.43	6.74	5.39	4.77
528-720-5	A	W7PCX-5	DPDT	5	75	7.74	6.19	4.95	4.38
528-720-7	A	W7PCX-7	DPDT	12	440	7.74	6.19	4.95	4.38
528-720-8	A	W7PCX-8	DPDT	24	1550	9.71	7.77	6.22	5.49



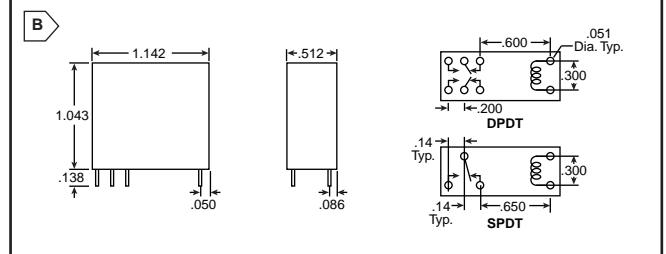
Class 76: Miniature

Features:

- Contact rating: DPDT - 5A SPDT - 10A
- Contact resistance: 25mΩ
- Contact material: silver cadmium oxide



MOUSER STOCK NO.	Fig.	Magnecraft® Part No.	Contacts	Coil		Price Each			
				Volts	Ohms	1	10	25	50
528-7660-14	B	W76EURCPXC-14	SPDT	5	47	4.16	3.66	3.18	2.76
528-7660-15	B	W76EURCPXC-15	SPDT	6	68	4.16	3.66	3.18	2.76
528-7660-16	B	W76EURCPXC-16	SPDT	12	275	4.16	3.66	3.18	2.76
528-7660-17	B	W76EURCPXC-17	SPDT	24	1100	4.16	3.66	3.18	2.76
528-7660-61	B	W76EURCPXC-61	DPDT	5	47	4.64	4.08	3.55	3.08
528-7660-62	B	W76EURCPXC-62	DPDT	6	68	4.64	4.08	3.55	3.08
528-7660-63	B	W76EURCPXC-63	DPDT	12	275	4.64	4.08	3.55	3.08
528-7660-64	B	W76EURCPXC-64	DPDT	24	1100	4.64	4.08	3.55	3.08



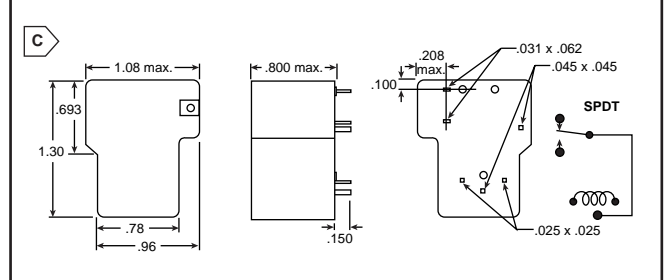
Class 90: Miniature

Features:

- Contact rating: up to 20A
- Contact resistance: 50mΩ
- Contact material: silver cadmium oxide



MOUSER STOCK NO.	Fig.	Magnecraft® Part No.	Nom. Power (A)	Coil		Price Each			
				Volts	Ohms	1	10	25	50
SPDT - 1 FORM C									
528-9085-05	C	W90S5D12-5	.93	5	27	4.49	3.95	3.44	2.76
528-9085-12	C	W90S5D12-12	.93	12	155	4.49	3.95	3.44	2.76
528-9085-24	C	W90S5D12-24	.87	24	660	4.49	3.95	3.44	2.76



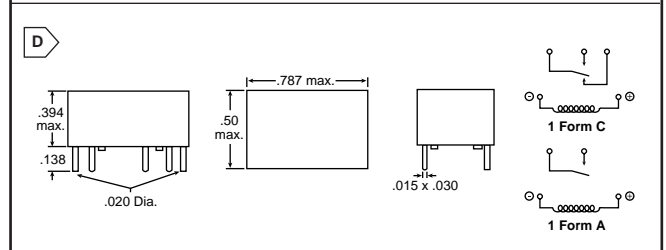
Class 276: Miniature

Features:

- Contact rating: 1 FORM A - 10A @250VAC, 1 FORM C - 7A @ 250VAC
- Contact resistance: 30mΩ @ 1A 6VDC
- Contact material: silver alloy



1 FORM C									
MOUSER STOCK NO.	Fig.	Magnecraft® Part No.	Contacts	Coil		Price Each			
				Volts	Ohms	1	10	25	50
528-2761-5	D	276AXH-5DC	7	5	125	4.53	4.08	3.74	3.49
528-2761-12	D	276AXH-12DC	7	12	720	4.53	4.08	3.74	3.49
528-2761-24	D	276AXH-24DC	7	24	2880	4.99	4.49	4.15	3.84
1 FORM A									
528-2762-5	D	276AXXH-5DC	10	5	125	4.30	3.87	3.58	3.30
528-2762-12	D	276AXXH-12DC	10	12	720	4.30	3.87	3.58	3.30
528-2762-24	D	276AXXH-24DC	10	24	2880	4.73	4.26	3.95	3.64



MINIATURE INDUSTRIAL RELAYS

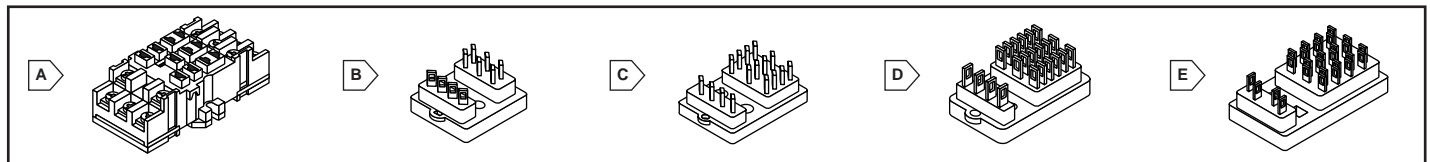
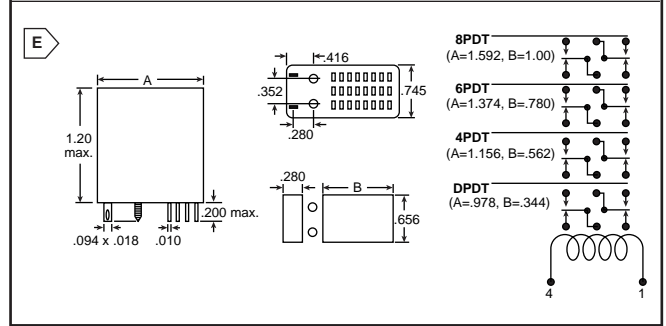
Features:

- Contact rating: 5A @ 120VAC
- Contact resistance: .05mΩ max
- Contact material: silver-gold overlay



Class 67: Enclosed, Plug-in

MOUSER STOCK NO.	Fig.	Magnecraft® Part No.	Contacts	Coil		Price Each			
				Volts	Ohms	1	10	25	50
528-6710-1	E	W67RCSX-1	DPDT	5	52	10.64	9.36	8.14	6.84
528-6710-2	E	W67RCSX-2	DPDT	12	185	10.64	9.36	8.14	6.84
528-6710-3	E	W67RCSX-3	DPDT	24	700	11.90	10.47	9.11	7.65
528-6710-6	E	W67RCSX-6	4PDT	5	52	12.00	10.56	9.19	7.70
528-6710-7	E	W67RCSX-7	4PDT	12	182	12.00	10.56	9.19	7.70
528-6710-8	E	W67RCSX-8	4PDT	24	700	13.74	12.09	10.52	8.82
528-6710-12	E	W67RCSX-12	6PDT	12	90	17.59	15.48	13.47	11.28
528-6710-13	E	W67RCSX-13	6PDT	24	430	19.07	16.78	14.60	12.23
528-6710-17	E	W67RCSX-17	8PDT	12	72	38.50	33.88	29.48	24.70
528-6710-18	E	W67RCSX-18	8PDT	24	350	38.50	33.88	29.48	24.70



SOCKETS



MOUSER STOCK NO.	Fig.	Description	For Use With Relay	Price Each			
				1	10	25	50
528-233-1	A	Screw terminal, 11 pin	388	12.81	10.44	8.36	7.31
528-303	B	Solder terminal, 10 pin	67	3.23	2.58	2.07	1.82
528-305	C	Solder terminal, 16 pin	67	4.42	3.54	2.83	2.49

MOUSER STOCK NO.	Fig.	Description	For Use With Relay	Price Each			
				1	10	25	50
528-307	D	Solder terminal, 22 pin	67	5.14	4.11	3.29	2.89
528-309	E	Solder terminal, 28 pin	67	9.28	7.42	5.94	5.22

SIP RELAYS - CLASS 117

Features: *With clamping diode
 • Contact rating (max.): 10VA res. (load) • Switching current (max): 0.5A • Contact resistance: 200mΩ

MOUSER STOCK NO.	Fig.	Magnecraft® Part No.	Nom. Volts	Coil (Ω)	Max. Pick-up VDC	Price Each				
						1	10	25	50	
1 FORM A SPST - N.O.										
528-117-1	A1	W117SIP-1	5	500	4.0	4.62	4.07	3.54	Call For Quote	
528-117-3	A1	W117SIP-3	12	1870	9.6	4.62	4.07	3.54		
528-117-5	A1	W117SIP-5	24	3200	19.2	4.91	4.32	3.76		
*528-117-6	A2	W117SIP-6	5	500	4.0	4.91	4.32	3.76		
*528-117-8	A2	W117SIP-8	12	1870	9.6	4.91	4.32	3.76		
*528-117-10	A2	W117SIP-10	24	3200	19.2	6.11	5.38	4.68		
1 FORM B SPST - N.C.										
*528-117-18	A3	W117SIP-18	5	500	4.0	7.53	6.63	5.77		
*528-117-25	A3	W117SIP-25	12	1200	9.6	7.90	6.95	6.05		
*528-117-26	A3	W117SIP-26	24	2200	19.2	9.27	8.16	7.10		

DIP RELAYS

Class 107

Features: *With clamping diode
 • Contact rating (max.): 10VA res. (load) • Switching current (max): 0.5A • Contact resistance: 200mΩ

MOUSER STOCK NO.	Fig.	Magnecraft® Part No.	Dim. H (In.)	Nom. Volts	Coil (Ω)	Max. Pick-up VDC	Nom. Power mW	Price Each			
								1	10	25	50
1 FORM A SPST - N.O.											
528-107-1	B4	W107DIP-1	.275	5	500	3.8	50	3.99	3.51	3.05	Call For Quote
528-107-3	B4	W107DIP-3	.275	12	1200	9.0	120	3.99	3.51	3.05	
528-107-4	B4	W107DIP-4	.275	24	2200	18.0	260	4.33	3.81	3.31	
*528-107-5	B5	W107DIP-5	.275	5	500	3.8	50	4.33	3.81	3.31	
*528-107-7	B5	W107DIP-7	.275	12	1200	9.0	120	4.33	3.81	3.31	
*528-107-8	B5	W107DIP-8	.275	24	2200	18.0	260	4.86	4.28	3.72	

Class 171

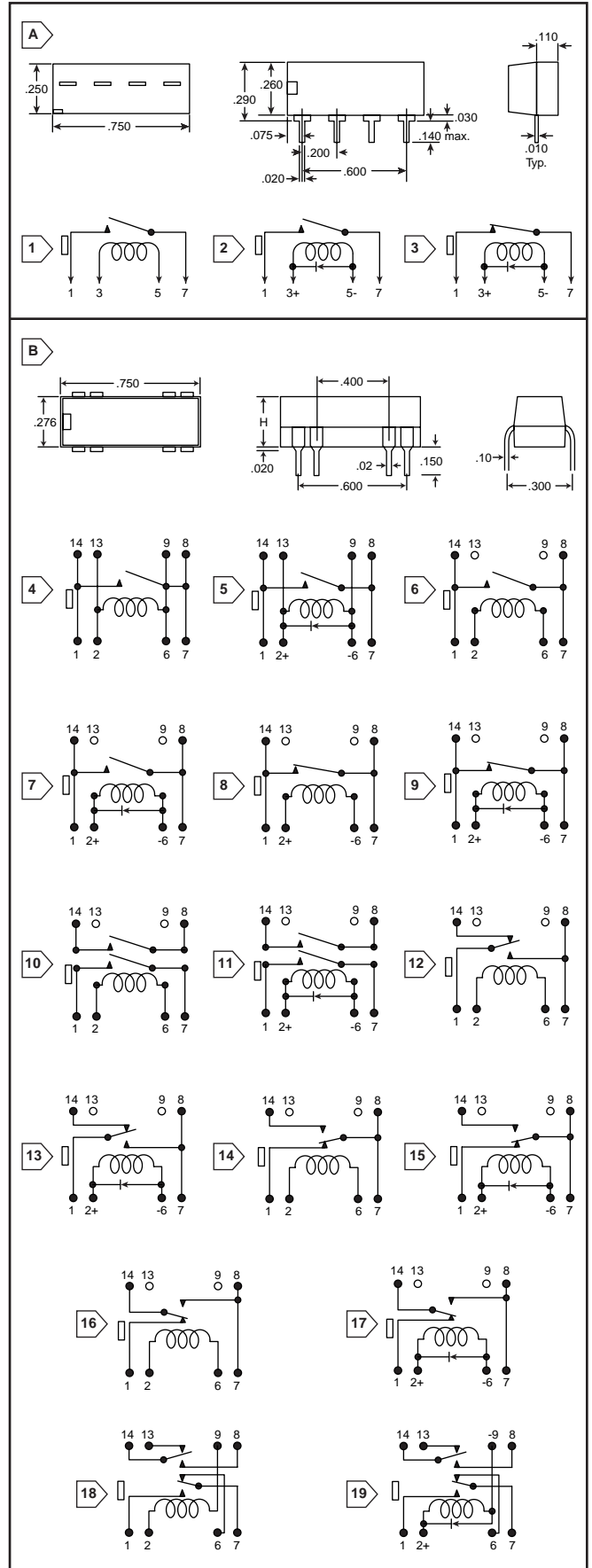
Features: *With clamping diode
 • Contact rating (max.): 10VA res. (load) • Switching current (max): 0.5A • Contact resistance: 200mΩ

MOUSER STOCK NO.	Fig.	Magnecraft® Part No.	Dim. H (In.)	Nom. Volts	Coil (Ω)	Max. Pick-up VDC	Nom. Power mW	Price Each			
								1	10	25	50
1 FORM A SPST - N.O.											
528-171-2	B6	W171DIP-2	.275	5	500	3.8	50	3.94	3.47	3.02	Call For Quote
528-171-4	B6	W171DIP-4	.275	12	1200	9.0	120	3.94	3.47	3.02	
528-171-5	B6	W171DIP-5	.275	24	2200	18.0	260	4.32	3.80	3.31	
*528-171-7	B7	W171DIP-7	.275	5	500	3.8	50	4.32	3.80	3.31	
*528-171-9	B7	W171DIP-9	.275	12	1200	9.0	120	4.32	3.80	3.31	
*528-171-10	B7	W171DIP-10	.275	24	2200	18.0	260	5.53	4.87	4.24	
1 FORM B SPST - N.C.											
528-171-12	B8	W171DIP-12	.275	5	500	3.8	50	6.09	5.36	4.66	
528-171-14	B8	W171DIP-14	.275	12	1200	9.0	120	6.09	5.36	4.66	
528-171-15	B8	W171DIP-15	.275	24	2200	18.0	260	6.20	5.46	4.75	
*528-171-17	B9	W171DIP-17	.275	5	500	3.8	50	6.20	5.46	4.75	
*528-171-19	B9	W171DIP-19	.275	12	1200	9.0	120	6.20	5.46	4.75	
*528-171-20	B9	W171DIP-20	.275	24	2200	18.0	260	6.69	5.89	5.12	
2 FORM A DPST - N.O.											
528-171-21	B10	W171DIP-21	.275	5	200	3.8	125	5.80	5.10	4.44	Call For Quote
528-171-23	B10	W171DIP-23	.275	12	500	9.0	290	5.80	5.10	4.44	
528-171-24	B10	W171DIP-24	.275	24	2200	18.0	270	6.20	5.46	4.75	
*528-171-25	B11	W171DIP-25	.275	5	200	3.8	125	6.20	5.46	4.75	
*528-171-27	B11	W171DIP-27	.275	12	500	9.0	290	6.20	5.46	4.75	
*528-171-28	B11	W171DIP-28	.275	24	2200	18.0	270	6.69	5.89	5.12	

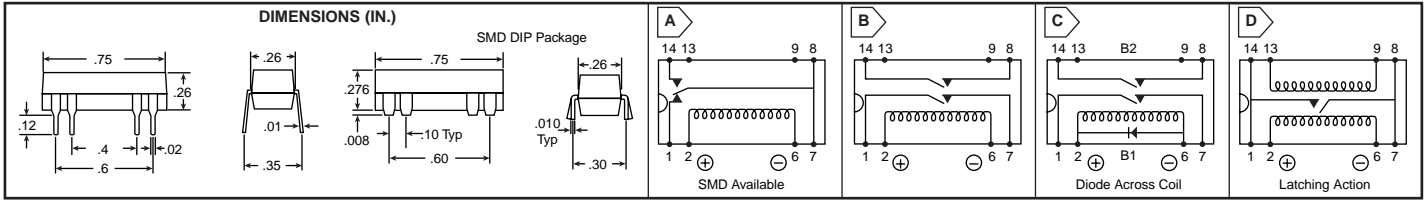
Class 172

Features: *With clamping diode
 • Contact rating (max.): 1 FORM C - 4VA 2 FORM C - 3VA • Switching current (max): DPDT: .1A ; SPDT: .25A @ 100VDC • Contact resistance: 200mΩ

MOUSER STOCK NO.	Fig.	Magnecraft® Part No.	Dim. H (In.)	Nom. Volts	Coil (Ω)	Max. Pick-up VDC	Nom. Power mW	Price Each			
								1	10	25	50
1 FORM C SPDT											
528-172-1	B12	W172DIP-1	.275	5	200	3.8	125	7.79	6.88	5.97	Call For Quote
528-172-3	B12	W172DIP-3	.275	12	500	9.0	290	8.94	7.90	6.85	
528-172-4	B12	W172DIP-4	.275	24	2200	18.0	270	8.94	7.90	6.85	
*528-172-5	B13	W172DIP-5	.275	5	200	3.8	125	8.07	7.14	6.18	
*528-172-7	B13	W172DIP-7	.275	12	500	9.0	290	8.94	7.90	6.85	
*528-172-8	B13	W172DIP-8	.275	24	2200	18.0	270	9.40	8.30	7.20	
528-172-141	B14	W172DIP-141	.275	5	200	3.8	125	7.13	6.27	5.46	
528-172-145	B14	W172DIP-145	.275	12	1000	9.0	144	7.87	6.93	6.03	
528-172-146	B14	W172DIP-146	.275	24	3200	18.0	180	7.49	6.59	5.73	
*528-172-147	B15	W172DIP-147	.275	5	200	3.8	125	7.49	6.59	5.73	
*528-172-149	B15	W172DIP-149	.275	12	1000	9.0	144	7.49	6.59	5.73	
*528-172-150	B15	W172DIP-150	.275	24	3200	18.0	180	9.51	8.37	7.28	
528-172-31	B16	W172DIP-31	.275	5	200	3.8	125	8.23	7.26	6.30	
528-172-33	B16	W172DIP-33	.275	12	500	9.0	290	8.37	7.39	6.41	
528-172-34	B16	W172DIP-34	.275	24	2200	18.0	270	8.53	7.52	6.53	
*528-172-35	B17	W172DIP-35	.275	5	200	3.8	125	9.01	7.95	6.90	
*528-172-37	B17	W172DIP-37	.275	12	500	9.0	290	9.01	7.95	6.90	
*528-172-38	B17	W172DIP-38	.275	24	2200	18.0	270	9.36	8.26	7.17	
2 FORM C DPDT											
528-172-17	B18	W172DIP-17	.340	5	46	3.8	540	27.14	23.98	20.78	Call For Quote
528-172-19	B18	W172DIP-19	.340	12	266	9.0	540	27.14	23.98	20.78	
528-172-20	B18	W172DIP-20	.340	24	1066	18.0	540	27.14	23.98	20.78	
*528-172-21	B19	W172DIP-21	.340	5	46	3.8	540	30.34	26.79	23.23	
*528-172-23	B19	W172DIP-23	.340	12	266	9.0	540	30.34	26.79	23.23	
*528-172-24	B19	W172DIP-24	.340	24	1066	18.0	540	30.34	26.79	23.23	



Reed and Miniature Relays



SMD DIP REED RELAYS

- Cross References:**
- Hamlin 700 series
 - Designed to meet MIL S 55433A-MIL R 6757F
 - Specifications @ 20°C
 - Clare PRM series
 - Electrol RA series
 - Struthers-Dunn MRR series
 - Douglas Randall 5 DIP series

1 Form C SPDT

Contact Rating: 3VA (28VDC or 250mA)

MOUSER STOCK NO.	Fig.	Norm Volt	Max Coil (V)	Coil (Ω±10)	Coil PWR (mW)	Pick-Up (V Max)	Release (VDC Min)	Price Each		
								1	10	25
433-DS31C210	A	5	12	200	125	3.7	1	7.42	6.75	Call



HI-REL DIP REED RELAYS

2 Form A DPST Normally Open

Contact Rating: 10VA (100VDC or 250mA)

MOUSER STOCK NO.	Fig.	Norm Volt	Max Coil (V)	Coil (Ω±10)	Coil PWR (mW)	Pick-Up (V Max)	Release (VDC Min)	Price Each		
								1	10	25
433-D32A510	B	12	18	500	288	9.6	2	6.83	5.47	Call
433-D32A211	C	5	9	125	200	3.7	0.8	6.95	5.56	Call

1 Form A SPST Latching Action

Contact Rating: 10VA (100VDC or 250mA)

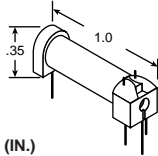
MOUSER STOCK NO.	Fig.	Norm Volt	Max Coil (V)	Coil (Ω)	Coil PWR (mW)	Pick-Up (V Max)	Release (VDC Min)	Price Each
433-D31L510	D	12	16	2x1500	150	8	8	13.98 12.71 Call

HIGH RELIABILITY REED RELAYS

1 Form A SPST Contacts Normally Open

Specifications:

- Contact resistance: 150mΩ max.
- Dielectric strength: 500VAC for 1 minute between coil and contacts 200VDC for 1 minute between contacts
- Coil temperature rise: 30°C max.
- Temperature range: -10°C to +60°C
- Operate time: 1.0 mS max.
- Release time: 0.5 mS max.

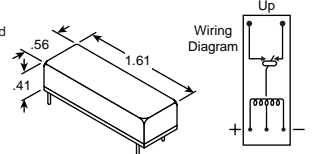


MOUSER STOCK NO.	Coil Volt (VDC)	Coil Resistance (Ω)	Price Each			
			1	10	50	100
431-1405	5.0	250	2.15	1.78	1.61	Call
431-1415	5.0	500	2.15	1.78	1.61	Call
431-1412	12.0	1050	2.15	1.78	1.61	Quote

MERCURY-WETTED REED RELAYS 1 Form C SPDT

Features:

- Injection molded, magnetic cap protected
- Vertical operation ±30°
- Change over contacts
- Long life with reliable operation
- Low power operation
- Pin compatible with Clare #HGJM relay



Contact Rating: 10VA (500VDC or 2mA)

MOUSER STOCK NO.	Nominal VDC	Coil (Ω)	Coil PWR (mW)	Pick-Up (V) Max	Release (V) Min	Price Each		
						1	25	50
433-R0861	5	335	75	2.8	0.4	19.85	18.90	Call
433-R0761	24	2650	215	13	2	19.85	18.90	Call

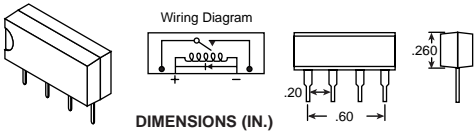
SIP REED RELAYS

1 Form A SPST Contacts Normally Open



Specifications:

- Immersion resistant
- Designed to meet MIL-S-55433A, MIL R-5757F
- TTL compatible
- Contact rating: 10W (100VDC, 500mA)



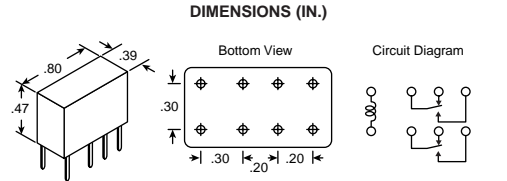
MOUSER STOCK NO.	Coil Diode	Nominal VDC	Coil Resistance (Ω) @ 25°C	Price Each		
				1	10	25
433-D401A510	No	12	1000	5.19	4.16	Call

DIP RELAYS

2 Form C DPDT Contacts

Specifications:

- Contact: twin cross-bar
- Contact rating 1A @ 120VAC
- Mechanical life: 10,000,000 operations
- Electrical life: 100,000 operations
- Insulation resistance: 100MΩ min.
- Operating temperature: -30°C to +70°C
- Contact resistance: 50mΩ max.



MOUSER STOCK NO.	Coil Specifications				Pick-Up Voltage (max.)	Release Voltage (min.)	Max Voltage (VDC)	Price Each	
	VDC	IDC (mA)	Resistance	Watts (W)				1	10
431-OVR-SH-205L	5	29.9	167	.15	4	.25	6.5	5.37	5.27
431-OVR-SH-212L	12	12.5	960	.15	9.6	.6	15.6	5.58	5.47
431-OVR-SH-224L	24	8.3	2880	.20	19.2	1.2	31.2	7.23	6.02

GENERAL PURPOSE MINIATURE RELAYS

These general purpose miniature relays feature in-line contacts and a dust resistant plastic cover. Terminations are designed for board mounting, but may be soldered. The contacts are silver plated.

Specifications A:

- Electrical life: 100,000 operations
- Mechanical life: 5,000,000 operations
- Silver plated contacts
- Dust resistant plastic cover

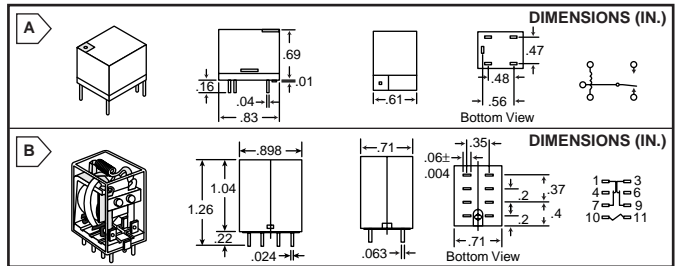
Specifications B:

- Electrical life: 200,000 operations (min.)
- Mechanical life: 5,000,000 operations (min.)
- Silver plated contacts
- Dust resistant plastic cover



For quantities greater than listed, call for quote.

MOUSER STOCK NO.	Fig.	Circuit	Coil Volts	Contact Rating	Coil (Ω)	Operate Time	Release Time	Price Each	
								1	10
433-812H	A	SPDT	12VDC	7A 30VDC / 12A 125VAC	400	15 msec	5 msec	3.56	3.27
433-2411	B	DPDT	12VDC	5A 24VDC / 120VAC	125	15 msec	10 msec	6.99	6.43



HIGH PERFORMANCE MINIATURE RELAYS

Specifications:

- Mechanical life: 1,000,000 operations
- Operating temperature: -25°C to +55°C
- Electrical life: 100,000 operations
- Contact resistance: less than 50mΩ
- Insulation resistance: 100MΩ (min.)
- Dielectric strength: 500VAC, 50/60 Hz, 4000VAC, 50/60 Hz



Subminiature 1 Form C SPDT

• Contact rating: 1A @ 24VDC or .5A @ 120VAC

For quantities greater than listed, call for quote.

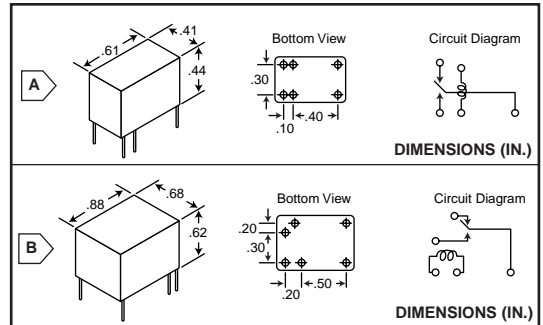
MOUSER STOCK NO.	Fig.	Nominal VDC	Coil IDC (mA)	R Coil (Ω ± 10%)	Watts (W)	Pick-Up Voltage (max.)	Release Voltage (min.)	Max Voltage (VDC)	Price Each		
									1	10	50
431-1205	A	5	72	75	.36	3.75	.25	6.5	3.25	2.60	2.34
431-1606	A	6	60	100	.36	4.5	.3	7.2	3.25	2.50	2.27
431-1612	A	12	30	400	.36	9	.6	14.4	3.25	2.50	2.27

Miniature 1 Form C SPDT

• Contact rating: resistive load 10A @ 120VAC or 24VDC inductive load 3A @ 120VAC or 24VDC

For quantities greater than listed, call for quote.

MOUSER STOCK NO.	Fig.	Coil Volts	Coil Resistance (Ω)	Watts (W)	Operate Time	Release Time	Price Each				
							1	10	50		
431-1305	B	5	80	70	.45	3.75	.25	6.5	3.66	3.33	2.99
431-1306	B	6	75	80	.45	4.5	.3	7.8	3.66	3.33	2.99
431-0112	B	12	37.5	320	.45	9	.6	15.6	3.66	3.33	2.99





Relays

Note: All dimensions are in inches

A

Can be used with Socket Accessories 526-R95-101 and 526-R95-113

B

Can be used with Socket Accessories 526-R95-104 and 526-R95-114

C

D

Can be used with Socket Accessories 526-R95-105 and 526-R95-115

E

Can be used with Socket Accessories 526-R95-105 and 526-R95-115

F

Can be used with Socket Accessories 526-R95-106A, 526-R95-107, 526-R95-117, and 526-R95-122

G

Can be used with Socket Accessories 526-R95-110, 526-R95-111, 526-R95-120, and 526-R95-121

H

Can be used with Socket Accessory 526-R95-102

I

Can be used with Socket Accessory 526-R95-108

J

GENERAL PURPOSE MULTICONTACT RELAYS RO2 SERIES

- Features:**
- Indicator lamp types (N-suffix)
 - 8 pin and 11 pin Octal plug-in types
 - DPDT and 3PDT types
 - Clear plastic dust cover
 - Long life contacts
- Electrical Specifications:**
- Operating and Release time: 25mS or less
 - Insulation material: molded polyester
 - Insulation resistance: 1 x 10⁹ MΩ min.
 - Duty cycle: continuous
 - Operating temperature: -10°C to +50°C (AC), -10°C to +60°C (DC)

MOUSER STOCK NO.	Fig.	Nominal Voltage	Contact Arr.	Coil Resistance Ω (typ.)	Nominal Power	Max. Contact Cur. @ 28VDC or 120VAC	Price Each
AC Operated							
526-R02-11A10-12	A	12VAC	DPDT	---	2.0VA	10A	12.66
526-R02-11A10-24	A	24VAC	DPDT	---	2.0VA	10A	12.66
526-R02-11A10-120	A	120VAC	DPDT	---	2.0VA	10A	13.00
526-R02-11A10-120N	A	120VAC	DPDT	---	2.0VA	10A	16.85
526-R02-11A10-240	A	240VAC	DPDT	---	2.0VA	10A	13.17
526-R02-14A10-24	B	24VAC	3PDT	---	2.75VA	10A	15.51
526-R02-14A10-120	B	120VAC	3PDT	---	2.75VA	10A	15.94
526-R02-14A10-120N	B	120VAC	3PDT	---	2.75VA	10A	17.93
DC Operated							
526-R02-11D10-12	A	12VDC	DPDT	120	1.0W	10A	12.55
526-R02-11D10-24	A	24VDC	DPDT	470	1.0W	10A	12.68
526-R02-11D10-110	A	110VDC	DPDT	10K	1.2W	10A	13.55
526-R02-14D10-12	B	12VDC	3PDT	120	1.0W	10A	15.75
526-R02-14D10-24	B	24VDC	3PDT	470	1.0W	10A	15.75

HEAVY DUTY, OPEN FRAME RELAYS RO4 SERIES

- Features:**
- Screw terminals
 - Long life contacts
 - Molded plastic barrier insulation
 - Molded nylon bobbin coil
- Electrical Specifications:**
- Operating time: 40mS or less
 - Release time: 30mS or less
 - Operating temperature: -30°C to +50°C
 - Duty cycle: continuous

MOUSER STOCK NO.	Fig.	Nominal Voltage	Contact Arr.	Coil Resistance Ω (typ.)	Nominal Power	Max. Contact Cur. @ 28VDC or 120VAC	Price Each
AC Operated							
526-R04-11A30-120	C	120VAC	DPDT	---	10VA	30A	16.30
DC Operated							
526-R04-11D30-12	C	12VDC	DPDT	70	2.0W	30A	16.36

GENERAL PURPOSE RELAYS R10 SERIES

- Features:**
- .187" 3-way terminals suitable for plug-in, solder, and quick connect
 - DPDT and 3PDT
 - Clear see-thru cover
- Electrical Specifications:**
- Operating time: 20mS (DPDT), 24mS (3PDT)
 - Release time: 28mS (DPDT), 26mS (3PDT)
 - Duty cycle: continuous
 - Operating temperature: -30°C to +50°C (AC), -30°C to +65°C (DC)

MOUSER STOCK NO.	Fig.	Nominal Voltage	Contact Arr.	Coil Resistance Ω (typ.)	Nominal Power	Max. Contact Cur. @ 28VDC or 120VAC	Price Each
AC Operated							
526-R10-11A10-24	D1	24VAC	DPDT	---	2.0VA	10A	8.82
526-R10-11A10-120F	E	120VAC	DPDT	---	2.0VA	10A	9.10
526-R10-14A10-24	D2	24VAC	3PDT	---	2.75VA	10A	10.19
526-R10-14A10-120	D2	120VAC	3PDT	---	2.75VA	10A	10.49
DC Operated							
526-R10-11D10-12	D1	12VDC	DPDT	120	1.2W	10A	8.44
526-R10-11D10-24	D1	24VDC	DPDT	470	1.2W	10A	8.44
526-R10-14D10-12	D2	12VDC	3PDT	120	1.2W	10A	9.77
526-R10-14D10-24	D2	24VDC	3PDT	470	1.2W	10A	9.77

GENERAL PURPOSE RELAYS R12 SERIES

- Features:**
- Slightly larger than 1 cubic inch
 - High reliability, 50 million operations
 - Plug-in or solder terminal
- Electrical Specifications:**
- Operating time: 25mS or less
 - Release time: 25mS or less
 - Duty cycle: continuous
 - Operating temperature: -30°C to +55°C

MOUSER STOCK NO.	Fig.	Nominal Voltage	Contact Arr.	Coil Resistance Ω (typ.)	Nominal Power	Max. Contact Cur. @ 28VDC or 120VAC	Price Each
AC Operated							
526-R12-17A3-24	F	24VAC	4PDT	---	1.2VA	5A	12.70
526-R12-17A3-120	F	120VAC	4PDT	---	1.2VA	5A	12.70
DC Operated							
526-R12-17D3-12	F	12VDC	4PDT	160	.9W	5A	10.89
526-R12-17D3-24	F	24VDC	4PDT	650	.9W	5A	10.89

GENERAL PURPOSE RELAYS R14 SERIES

- Features:**
- Slightly larger than 1 cubic inch
 - Plug-in or solder terminals, will also accept .187" faston terminals
 - High reliability, 50 million operations
- Electrical Specifications:**
- Operating time: 25mS or less
 - Release time: 25mS or less
 - Duty cycle: continuous
 - Operating temperature: -30°C to +55°C

MOUSER STOCK NO.	Fig.	Nominal Voltage	Contact Arr.	Coil Resistance Ω (typ.)	Nominal Power	Max. Contact Cur. @ 28VDC or 120VAC	Price Each
AC Operated							
526-R14-11A10-24	G	24VAC	DPDT	---	1.2VA	10A	8.19
526-R14-11A10-120	G	120VAC	DPDT	---	1.2VA	10A	8.40
526-R14-5A15-120	G	120VAC	SPDT	---	1.2VA	15A	7.69
DC Operated							
526-R14-11D10-12	G	12VDC	DPDT	160	.9W	10A	7.89
526-R14-11D10-24	G	24VDC	DPDT	650	.9W	10A	7.89
526-R14-5D15-24	G	24VDC	SPDT	650	.9W	15A	7.40

MINIATURE INDUSTRIAL RELAYS R16 SERIES DC Operated

- Features:**
- DPDT and 4PDT versions
 - Combination solder/plug-in terminals
 - Gold overlay bar type long life contacts
- Electrical Specifications:**
- Operating time: 12mS (DPDT), 14mS (4PDT) or less
 - Release time: 8mS or less
 - Operating temperature: -55°C to +70°C, 10 sec. max.

MOUSER STOCK NO.	Fig.	Nominal Voltage	Contact Arr.	Coil Resistance Ω (typ.)	Nominal Power	Max. Contact Cur. @ 28VDC or 120VAC	Price Each
526-R16-11D5-5	H	5/6VDC	DPDT	52	.5W	5A	9.72
526-R16-11D5-12	H	12VDC	DPDT	185	.75W	5A	9.72
526-R16-11D5-24	H	24VDC	DPDT	700	1W	5A	10.67
526-R16-17D5-12	I	12VDC	4PDT	185	1W	5A	12.95
526-R16-17D5-24	I	24VDC	4PDT	700	1W	5A	13.02
526-R16-11D3-12	H	12VDC	DPDT	185	.75W	3A	9.72
526-R16-17D3-12	I	12VDC	4PDT	185	.75W	3A	12.95

PC MOUNT RELAY R20 SERIES DC Operated

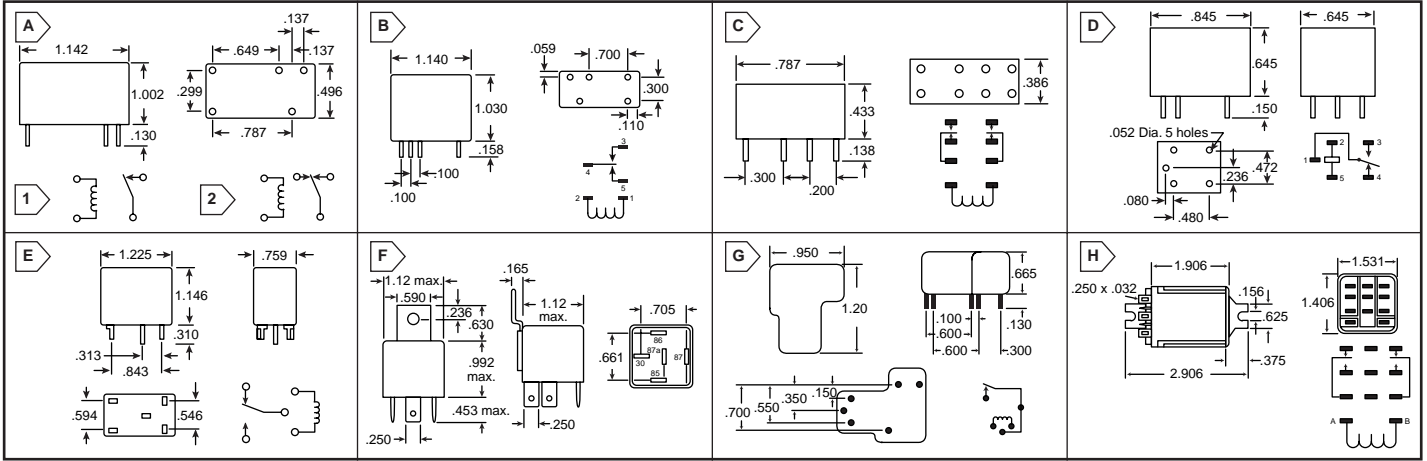
- Features:**
- Continuous duty operation
 - Dust proof cover
 - Switches heavy current with low coil power
- Electrical Specifications:**
- Operating time: 10mS approx.
 - Release time: 8mS approx.
 - Operating temperature: -45°C to +75°C
 - Mechanical life: 5,000,000 operations min.

MOUSER STOCK NO.	Fig.	Nominal Voltage	Contact Arr.	Coil Resistance Ω (typ.)	Nominal Power	Max. Contact Cur. @ 28VDC or 120VAC	Price Each
526-R20-11D6-12	J	12VDC	DPDT	170	800mW	8A	11.64



Relays and Accessories

Note: All dimensions are in inches



SLIM LINE, DC OPERATED R22 SERIES

- Features:**
 • Long life • PC board mount
- Electrical Specifications:**
 • Operating time: 30mS • Release time: 8mS



MOUSER STOCK NO.	Fig.	Nominal Voltage	Contact Arr.	Coil Resistance Ω (typ.)	Nominal Power	Max. Contact Cur. @ 28VDC or 120VAC	Price Each
526-R22-1D16-12	A1	12VDC	SPST-NO	270	540mW	16A	4.69
526-R22-1D16-24	A1	24VDC	SPST-NO	1100	540mW	16A	4.69
526-R22-1D16-48	A1	48VDC	SPST-NO	4400	540mW	16A	4.90
526-R22-5D16-5/6	A2	5/6VDC	SPDT	47	540mW	16A	4.69
526-R22-5D16-12	A2	12VDC	SPDT	270	540mW	16A	4.69
526-R22-5D16-24	A2	24VDC	SPDT	1100	540mW	16A	4.69

UPRIGHT EPOXY SEALED POWER RELAYS R24 SERIES

- Features:**
 • High dielectric-4000 VRMS between control and switching circuits
 • Cut-off rib after PCB washing
 • 94V-0 enclosure
- Electrical Specifications:**
 • Operating time: 15mS
 • Release time: 10mS
 • Switching rate: 5 operations per sec. (max.)
 • Operating temperature: -40°C to +70°C



DC Operated

MOUSER STOCK NO.	Fig.	Nominal Voltage	Contact Arr.	Coil Resistance Ω	Nominal Power	Max. Contact Cur.	Price Each
526-R24-5D10-12V	B	12VDC	SPDT	230	600mW	10A	5.38
526-R24-5D10-24V	B	24VDC	SPDT	920	600mW	10A	5.46

PC MOUNT EPOXY SEALED, DC OPERATED R40 SERIES

- Features:**
 • Ultra-sensitive coil
 • Standard 0.1" DIP terminal
- Electrical Specifications:**
 • Operating time: 4.5mS max.
 • Release time: 1.5mS max.
 • Operating temp.: -40°C to +65°C
 • Mechanical life: 20,000,000 operations min.

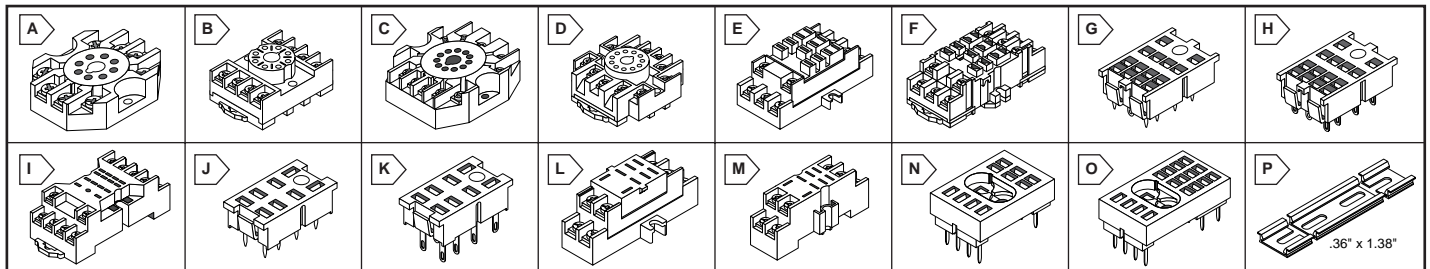
MOUSER STOCK NO.	Fig.	Nominal Voltage	Contact Arr.	Coil Resistance Ω	Nominal Power	Max. Contact Cur.	Price Each
526-R40-11D2-5/6	C	5/6VDC	DPDT	167	150mW	2A	3.97
526-R40-11D2-12	C	12VDC	DPDT	960	150mW	2A	3.97
526-R40-11D2-24	C	24VDC	DPDT	2880	200mW	2A	3.97

GENERAL PURPOSE, DC OPERATED R46 SERIES

- Features:**
 • All sealed and resistant to wave soldering and cleaning
 • Less than 0.53 cubic inches
- Electrical Specifications:**
 • Operating time: 10mS (max.)
 • Release time: 5mS (max.)
 • Operating temperature: -25°C to +70°C



MOUSER STOCK NO.	Fig.	Nominal Voltage	Contact Arr.	Coil Resistance Ω	Nominal Power	Max. Contact Cur.	Price Each
526-R46-5D3-12	D	12VDC	SPDT	360	400mW	5A	3.27
526-R46-5D3-24	D	24VDC	SPDT	1440	400mW	5A	3.27



SOCKET ACCESSORIES

MOUSER STOCK NO.	Fig.	Description	Electrical Rating		Price Each
			Volts	Amps	
526-R95-101	A	For use with R02 series	600	10	4.51
526-R95-113	B	For use with R02 series	300	10	4.06
526-R95-104	C	For use with R02 series	600	10	7.92
526-R95-114	D	For use with R02 series	300	10	5.48
526-R95-105	E	For use with R10 series	300	10	8.68
526-R95-115	F	For use with R10 series	300	10	6.60
526-R95-107	G	For use with R12 series	120	5	1.48
526-R95-122	H	For use with R12 series	120	5	1.15
526-R95-106A	I	For use with R12 series	300	7	7.73

* DIN rail mountable



MOUSER STOCK NO.	Fig.	Description	Electrical Rating		Price Each
			Volts	Amps	
526-R95-117	I	For use with R12 series	300	7	7.19
526-R95-120	J	For use with R14 series	300	10	1.54
526-R95-111	K	For use with R14 series	300	10	1.76
526-R95-110	L	For use with R14 series	300	10	7.36
526-R95-121	M	For use with R14 series	300	10	5.21
526-R95-102	N	For use with R16 series	1000	5	2.18
526-R95-108	O	For use with R16 series	1000	10	2.70
526-R95-125	P	Aluminum DIN rail	-	-	5.69
526-R95-001	--	Hold down clip	-	-	1.60

RELAY SELECTOR GUIDE AND CROSS REFERENCE

Cross reference guide containing over 15,000 original type numbers from 166 manufacturers. NTE offers an exclusive two-year warranty with the purchase of any NTE relay.

MOUSER STOCK NO.	Price Each
526-RC003	2.95

DC-AC PANEL MOUNT POWER RELAYS

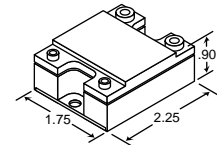
- Photo isolation
- High surge capability
- Turn-on/off time: 1/2 cycle
- Zero voltage turn-on
- 600V blocking voltage
- Operating temp.: -40°C to +100°C
- Built-in snubber
- 4000V isolation voltage



S505-OSJ600 Series AC Control Series

Similar to CRYDOM: A1200, A2400 series

MOUSER STOCK NO.	Fig.	Output Voltage	Output Current Rating	Control Voltage	1 Cycle Surge Rating	Turn-Off Voltage	Price Each			
							1	10	25	50
518-1010	A	24-330 VAC	10 Amp	90 to 280 VAC	100 Amp	20 VAC/DC min.	19.91	19.00	14.48	13.58
518-1025	A	24-330 VAC	25 Amp	90 to 280 VAC	250 Amp	20 VAC/DC min.	23.39	22.32	17.01	15.95
518-1040	A	24-330 VAC	40 Amp	90 to 280 VAC	650 Amp	20 VAC/DC min.	31.86	30.41	23.17	21.72
518-1075	A	24-330 VAC	75 Amp	90 to 280 VAC	950 Amp	20 VAC/DC min.	45.56	43.49	33.14	31.07

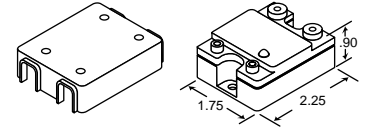


DIMENSIONS (IN.)

S505-OSJ600 Series DC Control Series

Similar to CRYDOM: D2400 series

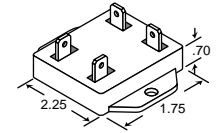
MOUSER STOCK NO.	Fig.	Output Voltage	Output Current Rating	Control Voltage	1 Cycle Surge Rating	Turn-Off Voltage	Price Each			
							1	10	25	50
518-1110	A	24-330 VAC	10 Amp	3 to 32 VDC	100 Amp	1 VDC min.	16.96	16.19	12.34	11.56
518-1125	A	24-330 VAC	25 Amp	3 to 32 VDC	250 Amp	1 VDC min.	20.44	19.51	14.86	13.94
518-1140	A	24-330 VAC	40 Amp	3 to 32 VDC	650 Amp	1 VDC min.	28.79	27.49	20.94	19.64
518-1175	A	24-330 VAC	75 Amp	3 to 32 VDC	950 Amp	1 VDC min.	41.82	39.92	30.42	28.52



DIMENSIONS (IN.)

SSAA-330 Series AC Control Series

MOUSER STOCK NO.	Fig.	Output Voltage	Output Current Rating	Control Voltage	1 Cycle Surge Rating	Turn-Off Voltage	Price Each			
							1	10	25	50
518-2710	B	24-330 VAC	10 Amp	90 to 280 VAC	100 Amp	20 VAC/DC	19.50	17.55	16.50	15.51
518-2725	B	24-330 VAC	25 Amp	90 to 280 VAC	250 Amp	20 VAC/DC	22.90	20.61	19.37	18.21
518-2740	B	24-330 VAC	40 Amp	90 to 280 VAC	650 Amp	20 VAC/DC	31.19	28.07	26.39	24.80
518-2775	B	24-330 VAC	75 Amp	90 to 280 VAC	950 Amp	20 VAC/DC	44.58	40.12	37.72	35.45



DIMENSIONS (IN.)

SSDA-330 Series DC Control Series

MOUSER STOCK NO.	Fig.	Output Voltage	Output Current Rating	Control Voltage	1 Cycle Surge Rating	Turn-Off Voltage	Price Each			
							1	10	25	50
518-2610	B	24-330 VAC	10 Amp	4 to 28 VDC	100 Amp	1 VDC min.	16.61	14.95	14.05	13.21
518-2625	B	24-330 VAC	25 Amp	4 to 28 VDC	250 Amp	1 VDC min.	20.01	18.01	16.93	15.91
518-2640	B	24-330 VAC	40 Amp	4 to 28 VDC	650 Amp	1 VDC min.	28.20	25.38	23.86	22.43
518-2675	B	24-330 VAC	75 Amp	4 to 28 VDC	950 Amp	1 VDC min.	41.18	37.06	34.84	32.75

DIMENSIONS (IN.)

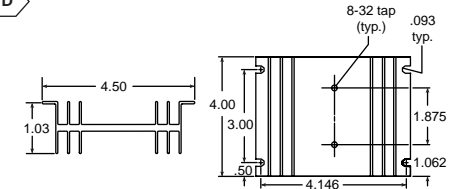
DC-DC 0-100 VDC OUTPUT RSDC-DC-100 Series

- 2500V isolation
- Turn-on/off time: 100µs
- Operating temp.: -40°C to +100°C
- High surge rating
- Wide control range
- Compatible with most logic systems

Similar to CRYDOM: D1D series

MOUSER STOCK NO.	Fig.	Output Voltage	Output Current Rating	Control Voltage	1 Cycle Surge Rating	Turn-Off Voltage	Price Each			
							1	10	25	50
518-1208	A	0-100 VDC	8	3.5 to 32 VDC	20 Amp	1.0 VDC	37.71	35.99	27.42	25.71
518-1212	A	0-100 VDC	12	3.5 to 32 VDC	30 Amp	1.0 VDC	41.82	39.92	30.42	28.52
518-1220	A	0-100 VDC	20	3.5 to 32 VDC	60 Amp	1.0 VDC	47.43	45.28	34.50	32.34
518-1240	A	0-100 VDC	40	3.5 to 32 VDC	120 Amp	1.0 VDC	60.68	57.92	44.13	41.37

DIMENSIONS (IN.)



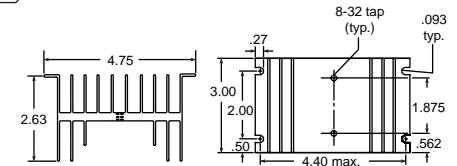
AC, DC-AC 24-280 VAC OUTPUT RLDA, RLAA-240 Series

- Photo isolation
- 600V blocking voltage
- Operating temp.: -40°C to +100°C
- Built-in snubber
- 4000V isolation voltage
- Turn-on/off time: 1/2 cycle



MOUSER STOCK NO.	Fig.	Output Voltage	Output Current Rating	Control Voltage	1 Cycle Surge Rating	Turn-Off Voltage	Price Each			
							1	10	25	50
518-1532	C	24-280 VAC	15	3 to 32 VDC	150 Amp	1 VDC	12.10	11.55	8.80	8.25
518-1514	C	24-280 VAC	15	90 to 140 VAC	150 Amp	20 VAC	15.40	14.70	11.20	10.50
518-1528	C	24-280 VAC	15	180 to 280 VAC	150 Amp	40 VAC	15.40	14.70	11.20	10.50

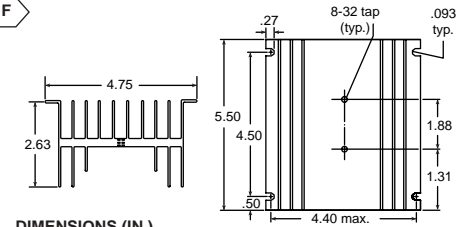
DIMENSIONS (IN.)



SAFETY COVER/HEAT SINKS

MOUSER STOCK NO.	Fig.	Description	Price Each			
			1	10	25	50
518-1400	--	Safety cover for S505, SS, or RSDC Series relays	1.50	1.35	1.27	1.19
518-1421	D	Heat sink for 10 amp and 25 amp solid state relays (SSR's)	15.03	14.34	10.93	10.25
518-1415	E	Heat sink for 25 amp and 40 amp solid state relays (SSR's)	17.40	16.61	12.66	11.87
518-1410	F	Heat sink for 40 amp and 75 amp solid state relays (SSR's)	23.50	22.26	16.96	15.90

DIMENSIONS (IN.)

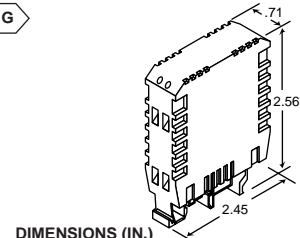


DIN RAIL MOUNT RELAYS

- Photo isolation
- 600V blocking voltage
- Built-in snubber
- 2500V isolation voltage

MOUSER STOCK NO.	Fig.	Output Voltage	Output Current Rating	Control Voltage	1 Cycle Surge Rating	Turn-Off Voltage	Price Each			
							1	10	25	50
518-2828	G	24-280 VAC	3 Amp	90-280 VAC	100 Amp	20 VAC	20.90	18.81	17.68	16.62
518-2832	G	24-280 VAC	3 Amp	3-32 VDC	100 Amp	1 VDC	18.90	17.01	15.99	15.03

DIMENSIONS (IN.)



SINGLE PHASE DIN RAIL MOUNT RELAYS

- Photo isolation
- LED indicator
- Turn-on/off time: 1/2 cycle
- Zero voltage turn-on
- 1200V blocking voltage
- Operating temp.: -40°C to +100°C
- Built-in snubber
- 4000V isolation voltage



RSAA, RSDA-660-25 Series

MOUSER STOCK NO.	Fig.	Output Voltage	Output Current Rating	Control Voltage	1 Cycle Surge Rating	Turn-Off Voltage	Price Each			
							1	10	25	50
518-2225	A	48-660 VAC	25 Amp	90 to 280 VAC	250 Amp	20 VAC min.	41.80	37.62	35.36	Call For Quote
518-2025	A	48-660 VAC	25 Amp	4 to 28 VDC	250 Amp	1 VDC min.	39.80	35.82	33.67	Call For Quote
518-2125	A	48-660 VAC	25 Amp	20 to 30 VDC	250 Amp	1 VDC min.	39.80	35.82	33.67	Call For Quote

RSAA, RSDA-660-40 Series

MOUSER STOCK NO.	Fig.	Output Voltage	Output Current Rating	Control Voltage	1 Cycle Surge Rating	Turn-Off Voltage	Price Each			
							1	10	25	50
518-2240	B	48-660 VAC	40 Amp	90 to 280 VAC	250 Amp	20 VAC min.	53.50	48.15	45.26	Call For Quote
518-2040	B	48-660 VAC	40 Amp	4 to 28 VDC	250 Amp	1 VDC min.	49.50	44.55	41.88	Call For Quote
518-2140	B	48-660 VAC	40 Amp	20 to 30 VDC	250 Amp	1 VDC min.	49.50	44.55	41.88	Call For Quote

THREE PHASE DIN RAIL MOUNT RELAYS

- Photo isolation
- LED indicator
- Turn-on/off time: 1/2 cycle
- Zero voltage turn-on
- 1200V blocking voltage
- Operating temp.: -40°C to +100°C
- Built-in snubber
- 4000V isolation voltage

RSAA, RSDA-660-30 Series

MOUSER STOCK NO.	Fig.	Output Voltage	Output Current Rating	Control Voltage	1 Cycle Surge Rating	Turn-Off Voltage	Price Each			
							1	10	25	50
518-2530	C	48-660 VAC	30 Amp	90 to 280 VAC	650 Amp	20 VAC min.	103.43	93.09	87.50	Call For Quote
518-2330	C	48-660 VAC	30 Amp	4 to 28 VDC	650 Amp	1 VDC min.	99.23	89.31	83.95	Call For Quote
518-2430	C	48-660 VAC	30 Amp	20 to 30 VDC	650 Amp	1 VDC min.	99.23	89.31	83.95	Call For Quote

DC-AC 24-280 VAC PC MOUNT RELAY

- Zero voltage turn-on
- 4000V isolation voltage
- 1 cycle surge rating: 100 amp
- PC or socket mount
- Turn-on voltage: 3VDC
- Turn-on/off time: 1/2 cycle
- 600V blocking voltage
- Turn-off voltage: 1VDC
- Operating temp.: -40°C to +100°C

Similar to CRYDOM: MP120D3, MP240D3 series

MOUSER STOCK NO.	Fig.	Output Voltage (VAC)	Output Current Rating	Control Voltage	Type	Mounting	Price Each			
							1	10	25	50
518-1304	D	24-280	4 Amp	3 to 32 VDC	RP03-24/280-04A	Vertical	11.46	10.94	8.34	Call

DIN RAIL MOUNT MODULES

- Solid state reliability
- 2500V isolation
- TTL compatible
- Operating temperature: -30°C to +70°C

AC Input

MOUSER STOCK NO.	Fig.	Logic Circuit (Output)			Field Circuit (Input)		Price Each			
		Logic VDC	Range VDC	Current	Range (V)	Current (max.)	1	10	25	50
518-3005	E	5	4.5 to 6	100 mA	90 to 140 VAC/VDC	8 mA	17.68	15.91	14.96	Call For Quote
518-3015	E	15	12 to 18	100 mA	90 to 140 VAC/VDC	8 mA	17.68	15.91	14.96	
518-3024	E	24	20 to 30	100 mA	90 to 140 VAC/VDC	8 mA	17.68	15.91	14.96	
518-3006	E	5	4.5 to 6	100 mA	180 to 280 VAC/VDC	7 mA	17.68	15.91	14.96	
518-3016	E	15	12 to 18	100 mA	180 to 280 VAC/VDC	7 mA	17.68	15.91	14.96	
518-3025	E	24	20 to 30	100 mA	180 to 280 VAC/VDC	7 mA	17.68	15.91	14.96	

DC Input

MOUSER STOCK NO.	Fig.	Logic Circuit (Output)			Field Circuit (Input)		Price Each			
		Logic VDC	Range VDC	Current	Range (V)	Current (max.)	1	10	25	50
518-3105	E	5	4.5 to 6	100 mA	15 to 32 VAC or 10 to 32 VDC	30 mA	17.68	15.91	14.96	Call For Quote
518-3115	E	15	12 to 18	100 mA	15 to 32 VAC or 10 to 32 VDC	30 mA	17.68	15.91	14.96	Call For Quote
518-3124	E	24	20 to 30	100 mA	15 to 32 VAC or 10 to 32 VDC	30 mA	17.68	15.91	14.96	Call For Quote

AC Output

MOUSER STOCK NO.	Fig.	Logic Circuit (Output)			Field Circuit (Input)		Price Each			
		Logic VDC	Range VDC	Current	Range (V)	Current (max.)	1	10	25	50
518-3205	E	5	2.5 to 8	11 mA	12 to 140 VAC	3A 45°C	19.28	17.35	16.31	Call For Quote
518-3215	E	15	9 to 16	17 mA	12 to 140 VAC	3A 45°C	19.28	17.35	16.31	
518-3224	E	24	18 to 32	17 mA	12 to 140 VAC	3A 45°C	19.28	17.35	16.31	
518-3206	E	5	2.5 to 8	11 mA	24 to 280 VAC	2A 70°C	19.28	17.35	16.31	
518-3216	E	15	9 to 16	17 mA	24 to 280 VAC	2A 70°C	19.28	17.35	16.31	
518-3225	E	24	18 to 32	17 mA	24 to 280 VAC	2A 70°C	19.28	17.35	16.31	

DC Output

MOUSER STOCK NO.	Fig.	Logic Circuit (Output)			Field Circuit (Input)		Price Each			
		Logic VDC	Range VDC	Current	Range (V)	Current (max.)	1	10	25	50
518-3305	E	5	3.5 to 8	10 mA	5 to 60 VDC	3A 45°C	19.28	17.35	16.31	Call For Quote
518-3315	E	15	9 to 16	17 mA	5 to 60 VDC	3A 45°C	19.28	17.35	16.31	Call For Quote
518-3324	E	24	18 to 32	17 mA	5 to 60 VDC	3A 45°C	19.28	17.35	16.31	Call For Quote

A

DIMENSIONS (IN.)

B

DIMENSIONS (IN.)

C

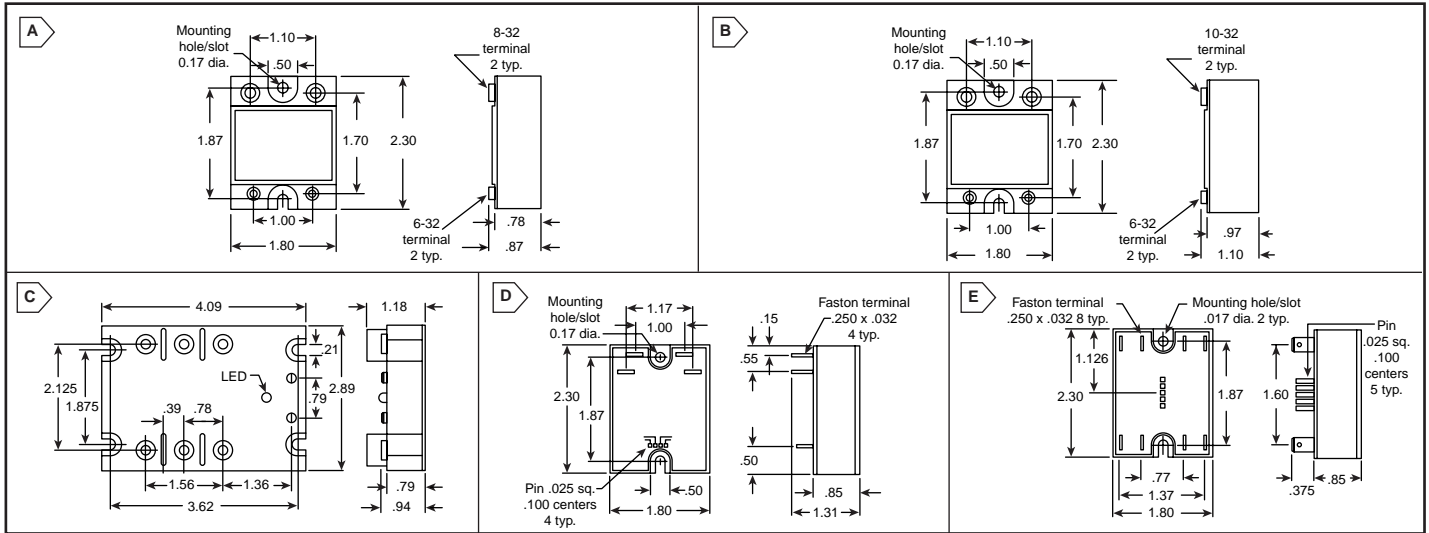
DIMENSIONS (IN.)

D

DIMENSIONS (IN.)

E

DIMENSIONS (IN.)



SERIES 1, 10-125A, 120/240VAC OUTPUT

- Features:**
- Zero voltage and random turn-on switching
 - Panel mount
- Specifications:**
- Operating temp. range: -40°C to +80°C
 - Isolation voltage: 4000 Vrms



LR81689 E116949

DC Control

- Specifications:**
- Control current @ 5VDC: 3.4mA
 - Must release voltage: 1.0VDC

MOUSER STOCK NO.	Fig.	Line Voltage (VAC)	Load Current Range (Arms)	Control Voltage (VDC)	Price Each			
					1	10	25	50
558-D2410	A	24-280	.04-10	3-32	28.48	27.38	25.82	Call For Quote
558-D2425	A	24-280	.04-25	3-32	28.77	27.66	26.08	
558-D2425-10	A	24-280	.04-25	3-32	31.27	30.16	28.58	
558-D2440	A	24-280	.04-40	3-32	32.53	31.28	29.50	
558-D2450	A	24-280	.04-50	3-32	33.60	32.30	30.46	
558-D2450-10	A	24-280	.04-50	3-32	36.10	34.80	32.96	
558-D2475	B	24-280	.04-75	3-32	53.68	51.61	48.66	

* Non-zero cross, phase controllable

AC Control

- Specifications:**
- Control current @ 120VAC: 2.0mA
 - Must release voltage: 10.0VAC

MOUSER STOCK NO.	Fig.	Line Voltage (VAC)	Load Current Range (Arms)	Control Voltage (VDC)	Price Each			
					1	10	25	50
558-A2410	A	24-280	.04-10	90-280	30.12	28.96	27.31	Call For Quote
558-A2425	A	24-280	.04-25	90-280	30.70	29.52	27.83	
558-A2425-10	A	24-280	.04-25	90-280	33.20	32.02	30.33	
558-A2440	A	24-280	.04-40	90-280	33.89	32.58	30.72	
558-A2450	A	24-280	.04-50	90-280	34.76	33.42	31.51	
558-A2475	B	24-280	.04-75	90-280	55.99	53.84	50.76	

* Non-zero cross, phase controllable

SERIES CT, 10-25A, 120/240VAC OUTPUT

- Features:**
- Cost effective
 - Triac output
- Specifications:**
- Operating temp. range: -40°C to +80°C
 - Isolation voltage: 4000 Vrms

DC Control Models

- Specifications:**
- Control current @ 5VDC: 7mA
 - Must release voltage: 1.0VDC

MOUSER STOCK NO.	Fig.	Line Voltage (VAC)	Load Current Range (Arms)	Control Voltage (VDC)	1	10	17.68	Call
558-CTD2410	A	24-280	.25-10	4-28	19.50	18.75	17.68	Call
558-CTD2425	A	24-280	.25-25	4-28	20.27	19.49	18.38	Call

AC Control Models

- Specifications:**
- Control current @ 120VAC: 8mA
 - Must release voltage: 10.0VDC

MOUSER STOCK NO.	Fig.	Line Voltage (VAC)	Load Current Range (Arms)	Control Voltage (VDC)	1	10	20.63	Call
558-CTA2410	A	24-280	.25-10	90-140	22.76	21.88	20.63	Call
558-CTA2425	A	24-280	.25-25	90-140	23.68	22.77	21.46	Call

SERIES 1-DC 7-40A, DC OUTPUT 100-400 VDC

- Features:**
- MOSFET output
 - Low on-state resistance
 - Paralleling capability for higher currents
- Specifications:**
- Operating temp. range: -30°C to +80°C
 - Control current @ 5VDC: 1.6mA
 - Must release voltage: 1.0VDC
 - Isolation voltage: 2500 Vrms



E116949

MOUSER STOCK NO.	Fig.	Line Voltage (VDC)	Load Current Range (A dc)	Control Voltage (VDC)	Price Each			
					1	10	25	50
558-D1D07	A	0-100	0-7	3.5-32	43.05	38.73	37.23	Call For Quote
558-D1D12	A	0-100	0-12	3.5-32	47.59	42.85	41.10	
558-D1D20	A	0-100	0-20	3.5-32	51.71	46.56	44.65	
558-D1D40	A	0-100	0-40	3.5-32	64.79	58.30	55.93	
558-D2D07	A	0-200	0-7	3.5-32	47.50	45.67	43.06	
558-D2D12	A	0-200	0-12	3.5-32	57.37	51.65	49.54	
558-D4D07	A	0-400	0-7	3.5-32	55.80	53.66	50.59	

SERIES HA/HD, 25-90A, 480VAC OUTPUT

- Features:**
- Zero voltage switching
 - Panel mount
 - 1200 volt blocking
- Specifications:**
- Operating temp. range: -40°C to +80°C
 - Isolation voltage: 4000 Vrms



LR81689 E116949

DC Control

- Specifications:**
- Control current @ 5VDC: 2.0mA
 - Must release voltage: 1.0VDC

MOUSER STOCK NO.	Fig.	Line Voltage (VAC)	Load Current Range (Arms)	Control Voltage (VDC)	Price Each			
					1	10	25	50
558-HD4825	A	48-530	.04-25	3-32	36.69	35.27	33.26	Call For Quote
558-HD4850	A	48-530	.04-50	3-32	40.74	39.17	36.94	
558-HD4875	B	48-530	.04-75	3-32	65.07	62.57	58.99	
558-HD4890	B	48-530	.04-90	3-32	69.11	62.76	59.69	

AC Control

- Specifications:**
- Control current @ 120VAC: 2.0mA
 - Must release voltage: 10.0VAC

MOUSER STOCK NO.	Fig.	Line Voltage (VAC)	Load Current Range (Arms)	Control Voltage (VDC)	1	10	37.99	Call For Quote
558-HA4825	A	48-530	.04-25	90-280	41.90	40.29	37.99	Call For Quote
558-HA4850	A	48-530	.04-50	90-280	47.88	46.04	43.41	Call For Quote
558-HA4875	B	48-530	.04-75	90-280	66.23	63.68	60.04	Call For Quote

SERIES 53TP, 25-50A, 3 PHASE

- Features:**
- SCR output
 - LED status indicator
- Specifications:**
- Operating temp. range: -40°C to +80°C
 - Isolation voltage: 4000 Vrms



E116949

DC Input Models

- Specifications:**
- Control current @ 5VDC: 10mA
 - Must release voltage: 1.0VDC

MOUSER STOCK NO.	Fig.	Line Voltage (VAC)	Load Current Range (Arms)	Control Voltage (VDC)	Price Each			
					1	10	25	50
558-D53TP25D	C	48-530	.05-25	3-32	112.48	108.15	101.97	Call
558-D53TP50D	C	48-530	.05-50	3-32	123.09	118.36	111.59	

AC Input Models

- Specifications:**
- Control current @ 120VDC: 10mA
 - Must release voltage: 10.0VAC

MOUSER STOCK NO.	Fig.	Line Voltage (VAC)	Load Current Range (Arms)	Control Voltage (VDC)	1	10	106.34	Call
558-A53TP25D	C	48-530	.05-25	90-280	117.30	112.79	106.34	Call
558-A53TP50D	C	48-530	.05-50	90-280	127.92	123.00	115.97	Call

DUAL RELAYS AND QUAD RELAYS

- Features:**
- Industry standard package
 - Zero voltage switching
- Specifications:**
- Operating temp. range: -40°C to +80°C
 - Isolation voltage: 4000 Vrms (dual) 2500Vrms (quad)
 - Control current @ 5VDC: 15mA
 - Must release voltage: 1.0VDC



LR81689 E116949

Dual

MOUSER STOCK NO.	Fig.	Line Voltage (VAC)	Load Current Range (Arms)	Control Voltage (VDC)	Price Each			
					1	10	25	50
558-D2425D	D	24-280	.15-25	4-15	51.75	49.76	46.91	Call
558-D2440D	D	24-280	.15-40	4-15	58.60	56.35	53.13	

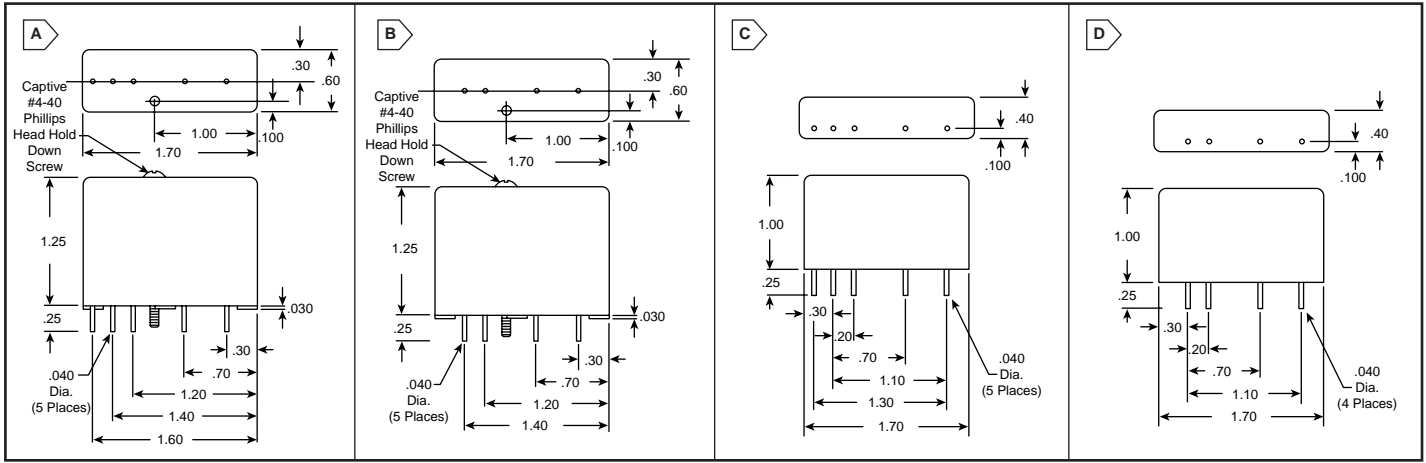
Quad

• UL recognized only

MOUSER STOCK NO.	Fig.	Line Voltage (VAC)	Load Current Range (Arms)	Control Voltage (VDC)	1	10	74.05	Call
558-TD2420Q	E	24-280	.15-20	4-15	81.67	78.53	74.05	Call

CRYDOM I/O Modules and Accessories

DIMENSIONS (IN.)



SERIES IAC/IDC, OAC/ODC, SOLID STATE OPTO-ISOLATED I/O MODULES

System Voltage 5VDC, Standard Pack



MOUSER STOCK NO.	Fig.	Voltage Type	Color	Input Specifications		Output Specifications			Price Each			
				Voltage Range	Typical Current (max.)	Load Current Over Load Voltage Range	Maximum Turn-on and Turn-off time	Switching Type	1	10	25	50
558-IAC5	A	AC or DC input	Yellow	90-140VAC	8mA	.1-100mA @ .4-30VDC	20ms	Random	9.81	9.20	8.89	8.58
558-IAC5A	A	AC or DC input	Yellow	180-280VAC	5.5mA	.1-100mA @ .4-30VDC	20ms	Random	10.30	9.66	9.34	9.02
558-IDC5	A	DC input	White	10-36VDC	10mA	.1-100mA @ .4-30VDC	5ms	Random	9.81	9.20	8.89	8.58
558-OAC5	B	AC output	Black	3-6VDC	22mA	.02-3A @ 12-140VAC	1/2 cycle	Zero	9.81	9.20	8.89	8.58
558-OAC5A	B	AC output	Black	3-6VDC	22mA	.02-3A @ 24-280VAC	1/2 cycle	Zero	10.30	9.66	9.34	9.02
558-ODC5	B	DC output	Red	3-6VDC	18mA	.02-3A @ 5-60VDC	0.3ms	Random	9.81	9.20	8.89	8.58

System Voltage 5VDC, Mini-Pack

MOUSER STOCK NO.	Fig.	Voltage Type	Color	Input Specifications		Output Specifications			Price Each			
				Voltage Range	Typical Current (max.)	Load Current Over Load Voltage Range	Maximum Turn-on and Turn-off time	Switching Type	1	10	25	50
558-MIAC5	C	AC or DC input	Yellow	90-140VAC	8mA	.1-100mA @ .4-30VDC	20ms	Random	9.81	9.20	8.89	8.58
558-MIAC5A	C	AC or DC input	Yellow	180-280VAC	5.5mA	.1-100mA @ .4-30VDC	20ms	Random	10.30	9.66	9.34	9.02
558-MIDC5	C	DC input	White	10-36VDC	10mA	.1-100mA @ .4-30VDC	5ms	Random	9.81	9.20	8.89	8.58
558-MIDC5B	C	DC input	White	3-32VDC	15mA	.1-100mA @ .4-30VDC	1ms	Random	13.93	13.05	12.62	12.18
558-MOAC5	D	AC output	Black	3-6VDC	22mA	.02-3A @ 12-140VAC	1/2 cycle	Zero	9.81	9.20	8.89	8.58
558-MOAC5A	D	AC output	Black	3-6VDC	22mA	.02-3A @ 24-280VAC	1/2 cycle	Zero	10.30	9.66	9.34	9.02
558-MODC5	D	DC output	Red	3-6VDC	18mA	.02-3A @ 5-60VDC	0.3ms	Random	9.81	9.20	8.89	8.58
558-MODC5A	D	DC output	Red	3-6VDC	18mA	.02-1A @ 10-200VDC	0.5ms	Random	15.16	14.22	13.75	13.27

System Voltage 24VDC, Mini-Pack

MOUSER STOCK NO.	Fig.	Voltage Type	Color	Input Specifications		Output Specifications			Price Each			
				Voltage Range	Typical Current (max.)	Load Current Over Load Voltage Range	Maximum Turn-on and Turn-off time	Switching Type	1	10	25	50
558-MIAC24	C	AC or DC input	Yellow	90-140VAC	8mA	.1-100mA @ .4-30VDC	20ms	Random	9.81	9.20	8.89	8.58
558-MIAC24A	C	AC or DC input	Yellow	180-280VAC	5.5mA	.1-100mA @ .4-30VDC	20ms	Random	10.30	9.66	9.34	9.02
558-MIDC24	C	DC input	White	10-36VDC	10mA	.1-100mA @ .4-30VDC	5ms	Random	9.81	9.20	8.89	8.58
558-MIDC24B	C	DC input	White	3-32VDC	15mA	.1-100mA @ .4-30VDC	1ms	Random	16.13	15.12	14.62	14.11
558-MOAC24	D	AC output	Black	18-28VDC	18mA	.02-3A @ 12-140VAC	1/2 cycle	Zero	9.81	9.20	8.89	8.58
558-MOAC24A	D	AC output	Black	18-28VDC	18mA	.02-3A @ 24-280VAC	1/2 cycle	Zero	9.81	9.20	8.89	8.58
558-MODC24	D	DC output	Red	18-28VDC	12mA	.02-3A @ 5-60VDC	0.3ms	Random	9.81	9.20	8.89	8.58
558-MODC24A	D	DC output	Red	18-28VDC	12mA	.02-1A @ 10-200VDC	0.5ms	Random	15.17	14.22	13.75	13.27

HEATSINKS

MOUSER STOCK NO.	Usage Rating	Price Each			
		1	10	25	50
558-HS-2	Up to 25A	16.70	16.06	15.14	14.22
558-HE-54	Up to 50A	24.62	23.67	22.32	20.97
558-HE-90	Up to 90A	69.22	66.56	62.75	58.95

Crydom heatsinks offer excellent thermal management and are perfectly matched to the load current rating of a variety of Crydom relays.

PROTECTIVE COVERS

Protective covers are made of high impact resistant plastic for added protection of Series 1 type panel mount solid state relays.

MOUSER STOCK NO.	Cover for Series	Price Each			
		1	10	25	50
558-KS-100	1 type packages	2.24	2.10	2.03	1.96
558-KS-300	53TP, 3 phase SSRs	3.63	3.41	3.29	3.18

SERIES PB I/O MODULES MOUNTING BOARDS

MOUSER STOCK NO.	Price Each			
	1	10	25	50
558-PB-4	30.50	28.59	27.64	26.68

These mounting boards accept standard I/O modules in any combination of input or output types. Modules are easily and quickly inserted without disturbing field wiring. Features include: LED status indicator, plug-in 5 amp fuse and 3.3KΩ pull-up resistor for each module. Module positions, input/output channels: 4.

SOLID STATE RELAY HANDBOOK

A comprehensive and informative book written by Anthony Bishop.

MOUSER STOCK NO.	Price Each			
	1	10	25	50
558-HDBK-899	19.21	18.47	17.42	16.36

